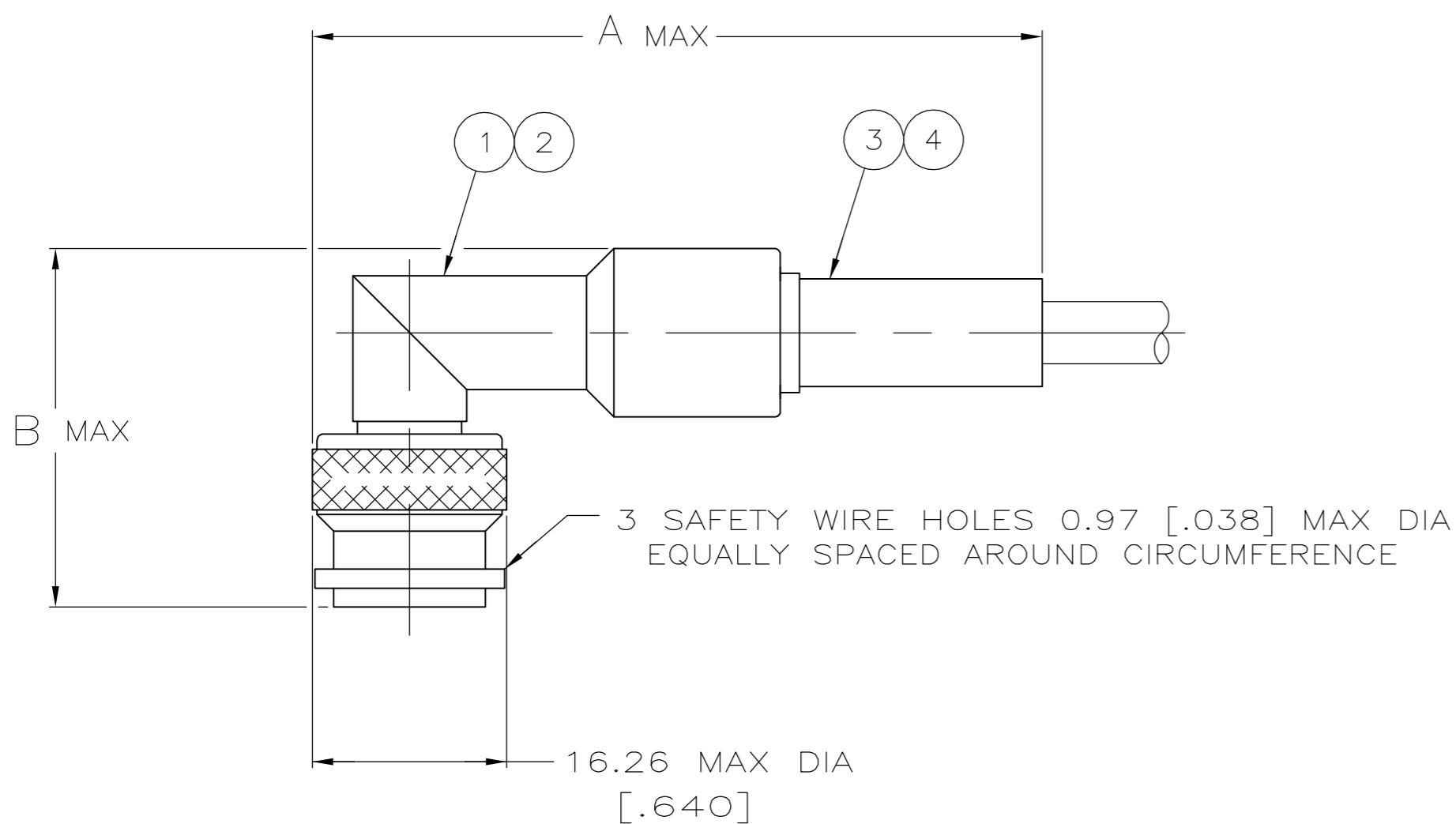


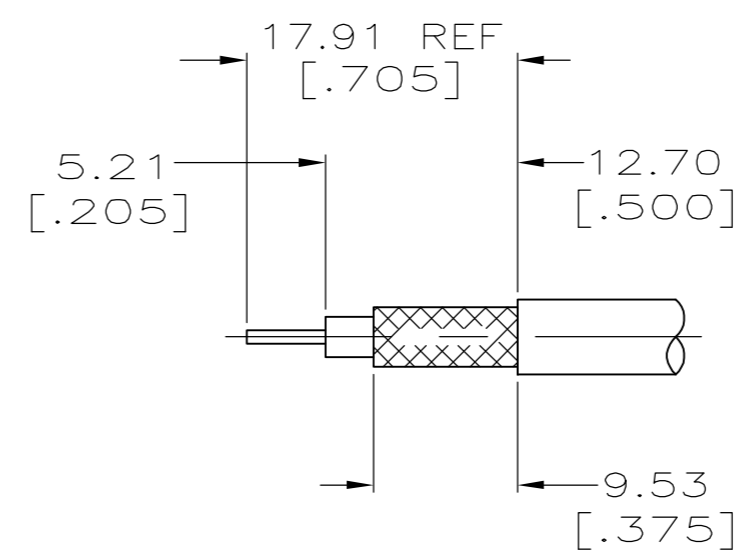
THIS DRAWING IS UNPUBLISHED. RELEASED FOR PUBLICATION
 © COPYRIGHT BY TYCO ELECTRONICS CORPORATION. ALL RIGHTS RESERVED.

LOC	DIST	REVISIONS			
P	LTR	DESCRIPTION	DATE	DWN	APVD
AJ	16	B	REV PER ECO 06-002539	06APR06	GB JH

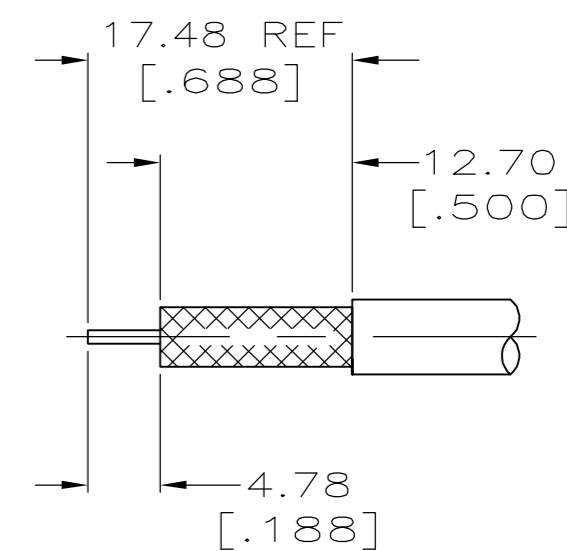
- 1. FELECA F1703/94 AND FILOTEX 50 MFCFB
- 2. SEE INSTRUCTION SHEET 408-2299-5



VIEW Z



VIEW X
RECOMMENDED
STRIP LENGTH



VIEW W
RECOMMENDED
STRIP LENGTH

△	220015-6	29.97 [1.180]	57.15 [2.250]	X AND Z	225908-1	9-331256-0	225471-7	9-225518-3	1-5225349-1
RG-9/U,9A/U & 214/U	220015-1	29.97 [1.180]	59.51 [2.343]	W AND Z	-	9-51713-4	225599-1	9-225518-0	5225349-9
CABLE SIZE	CRIMP TOOL	B	A	VIEW	4 SEAL QTY=1	3 FERRULE QTY=1	2 CONTACT QTY=1	1 PLUG ASSY QTY=1	PART NUMBER

THIS DRAWING IS A CONTROLLED DOCUMENT.

DWN	31JAN2005	Tyco Electronics Corporation Harrisburg, PA 17105-3608	
CHK	A. FERNANDEZ-DOCK5 31JAN2005		
APVD	J. LIPPERT 31JAN2005		
NAME	J. HAVENER		
DIMENSIONS:	TOLERANCES UNLESS OTHERWISE SPECIFIED:	PRODUCT SPEC 108-12001 APPLICATION SPEC	
INCHES	0 PLC ± - 1 PLC ± - 2 PLC ± 0.41 [.016] 3 PLC ± - 4 PLC ± - ANGLES ± - FINISH -		
MATERIAL	FINISH	WEIGHT - CUSTOMER DRAWING	
SIZE	CAGE CODE	DRAWING NO	RESTRICTED TO
A2	00779	C=5225349	-
SCALE	SHEET	REV	
2:1	1 of 1	B	